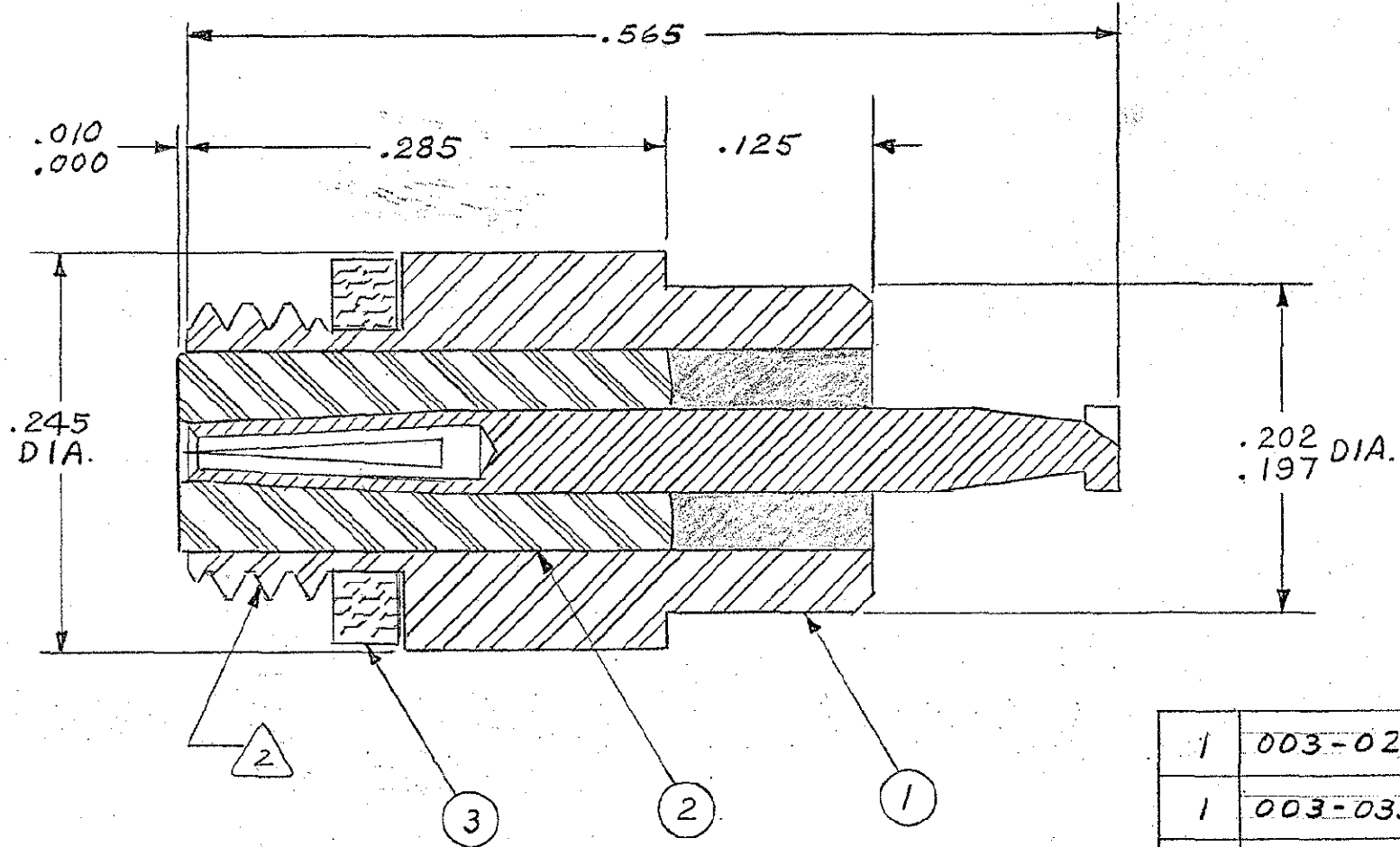


REVISIONS					
ZONE	LTR	ECN	DESCRIPTION	DATE	APPROVED
	P	23983	REVISED, REDRAWN, 003-0332-0001 WAS 003-0351-0001. SEE ECN.	HSU 2/19/79	HSU
	R	25703	NOTE Δ DELETE OVER NICKEL STRIKE. A.M.	4/24/81	RS
	S	39938	GASKET WAS: 000-0011-0001	2/11/02	ES



- NOTES:
1. MAX. LEAK RATE: 10^{-6} CC/HE/SEC. AT 1 ATM. PRESSURE DIFFERENTIAL
 2. .190-32 UNF-2A THD
 3. SILVER PLATE .0002 MIN. PER QQ-S-365, TYPE II, GRADE A.
 4. THIS CONNECTOR MATES WITH ALL SCREW-ON SERIES (S-50) PLUGS AS LISTED IN THE MALCO CATALOG.

QTY	PRT. NO.	DESCRIPTION	MAT'L & SPEC	ITEM NO.
1	003-0268-0000	GASKET	SILICONE RUBBER	3
1	003-0332-0001	INSULATOR	TEFLON PER L-P-403	2
1	005-0066-0001	SOCKET	IRON NICKEL ALLOY PER MIL-I-23011	
1	005-2518-0004	GLASS BEAD	GLASS	
1	005-0065-0001	HOUSING	STEEL PER QQ-S-637	
1	005-0677-0001	RECEPTACLE SUBASSY		1

PARTS LIST

UNLESS OTHERWISE SPECIFIED DIMENSIONS ARE IN INCHES TOLERANCES ARE: FRACTIONS DECIMALS ANGLES \pm .XX \pm .XXX \pm .010		CONTRACT NO.		MALCO A MICRODOT COMPANY, INC. 306 PASADENA AVE., SO. PASADENA, CALIF. 91030	PROD. CODE 964 CODE CDM
MATERIAL		APPROVALS	DATE		
FINISH		DRAWN	CHECKED		
NEXT ASSY		PR. ENG.	APPROVED		
USED ON		THESE DRAWINGS AND SPECIFICATIONS ARE THE PROPERTY OF MICRODOT INC. AND SHALL NOT BE COPIED, REPRODUCED OR USED AS THE BASIS FOR THE MANUFACTURE OR SALE OF ANY ARTICLE WITHOUT WRITTEN PERMISSION OF MICRODOT INC.		SIZE B	CODE IDENT NO. 98278
APPLICATION		DO NOT SCALE DRAWING		DRAWING NO. 051-0049-0001	SCALE 10X
				SHEET 1 OF 1	